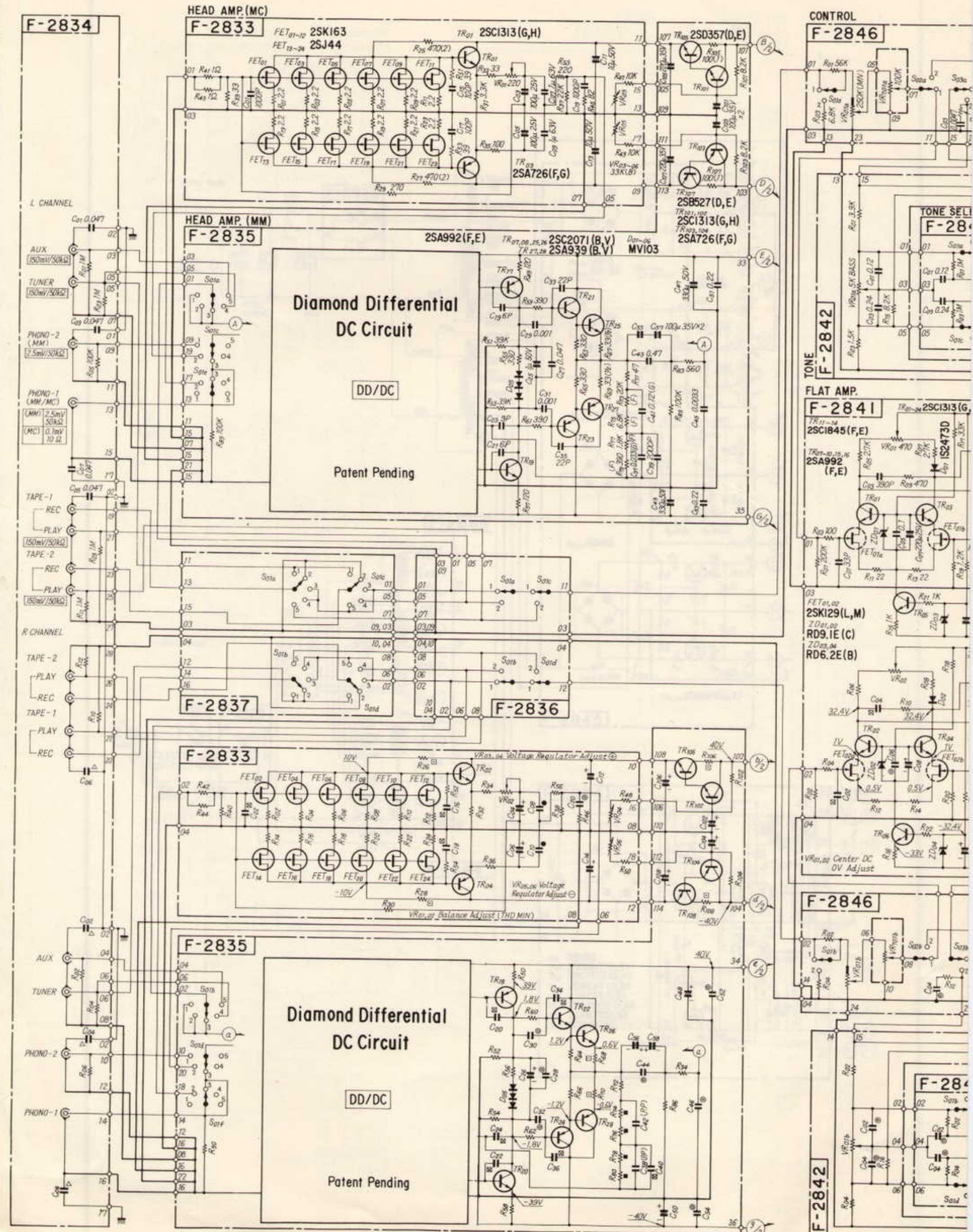
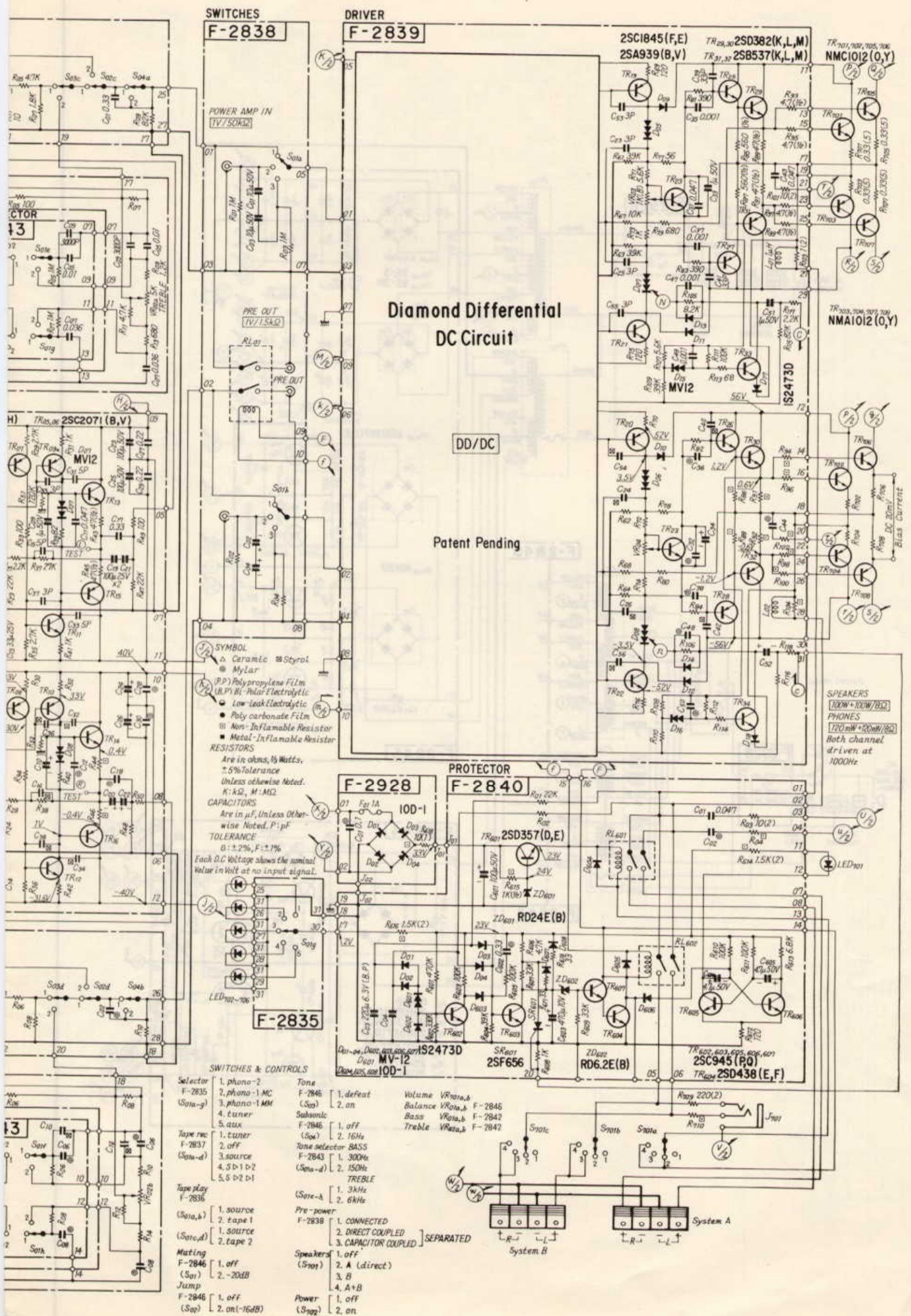


# SANSUI AU-919 SCHEMATIC DIAGRAM



La présentation et les spécifications sont susceptibles d'être modifiées sans préavis par suites d'améliorations éventuelles.  
 Änderungen, die dem technischen Fortschritt dienen, bleiben vorbehalten.  
 Design and specifications subject to change without notice for improvement.



SWITCHES  
F-2838

DRIVER  
F-2839

Diamond Differential  
DC Circuit

DD/DC

Patent Pending

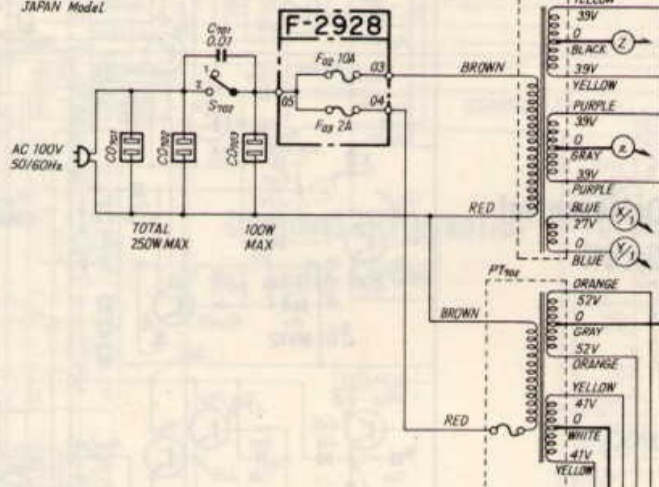
PROTECTOR  
F-2840

- SYMBOL  
 ◻ Ceramic ◻ Styrol  
 ◻ Mylar  
 (P.P) Polypropylene Film  
 (B.P) Bi-Polar Electrolytic  
 • Low-leak Electrolytic  
 • Poly carbonate Film  
 ◻ Non-Inflamable Resistor  
 ◻ Metal-Inflamable Resistor
- RESISTORS  
 Are in ohms,  $\frac{1}{2}$  Watts,  
 $\pm 5\%$  Tolerance  
 Unless otherwise Noted.  
 K: K $\Omega$ , M: M $\Omega$
- CAPACITORS  
 Are in  $\mu$ F, Unless Other-  
 wise Noted. P: pF
- TOLERANCE  
 $\pm 2\%$ , F:  $\pm 1\%$
- Each D.C. Voltage shows the nominal  
 value in Volt at no input signal.

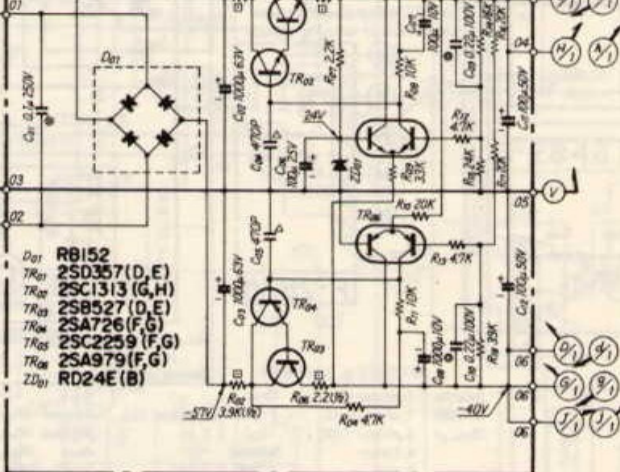
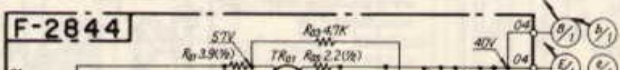
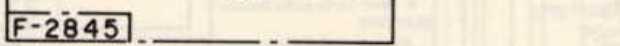
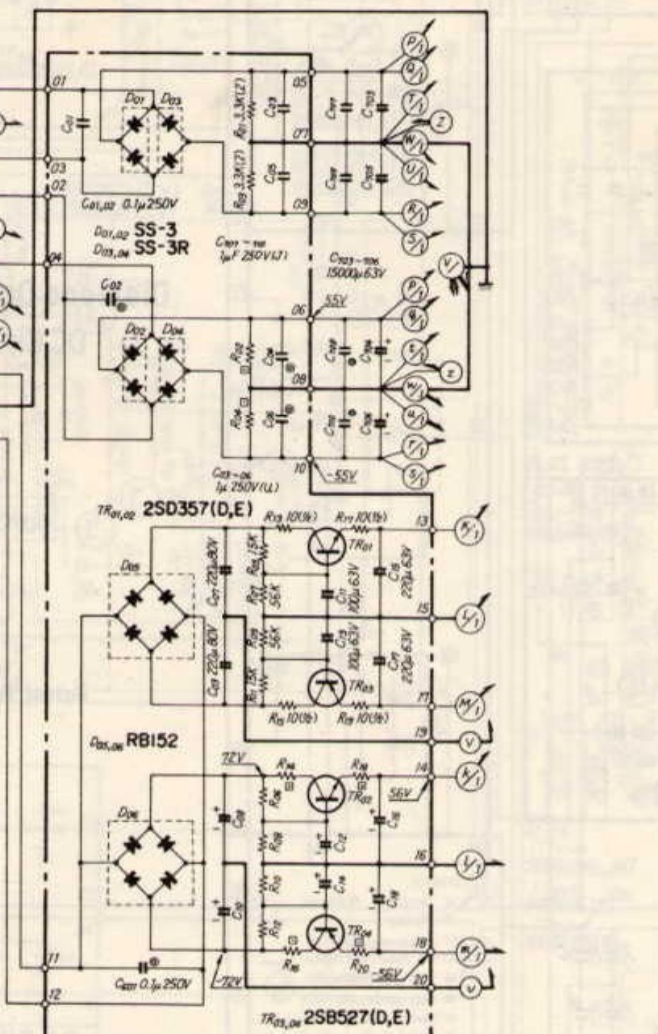
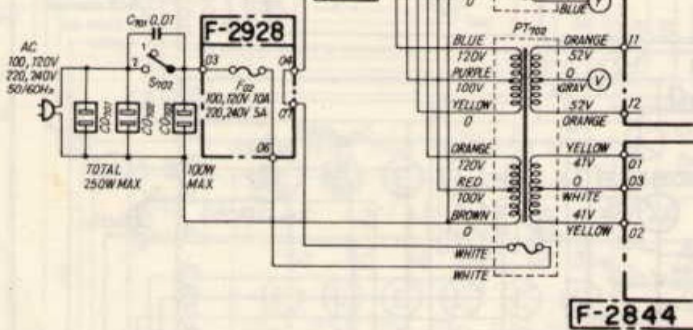
- Selector  
F-2835  
(S<sub>1a</sub>-g)
- Tape rec  
F-2837  
(S<sub>1a</sub>-d)
- Tape play  
F-2836  
(S<sub>1a</sub>,a)
- Mating  
F-2846  
(S<sub>1a</sub>)
- Jump  
F-2846  
(S<sub>1a</sub>)
- Tone  
F-2846  
(S<sub>1a</sub>)
- Subsonic  
F-2846  
(S<sub>1a</sub>)
- Tone selector BASS  
F-2843  
(S<sub>1a</sub>-d)
- TREBLE  
F-2843  
(S<sub>1a</sub>-d)
- Pre-power  
F-2838
- Speakers  
(S<sub>1a</sub>)
- Power  
(S<sub>1a</sub>)
1. phono-2  
2. phono-1 MC  
3. phono-1 MM  
4. tuner  
5. aux
1. tuner  
2. off  
3. source  
4. S1 b1 b2  
5. S1 b2 D1
1. source  
2. tape 1  
1. source  
2. tape 2
1. off  
2. -20dB
1. off  
2. on (-16dB)
1. defect  
2. on
1. off  
2. 16Hz  
1. 300Hz  
2. 150Hz
1. 3kHz  
2. 6kHz
1. CONNECTED  
2. DIRECT COUPLED  
3. CAPACITOR COUPLED
1. off  
2. A (direct)  
3. B  
4. A+B
1. off  
2. on
- Volume VR<sub>10a,b</sub>  
Balance VR<sub>10a,b</sub>  
Bass VR<sub>10a,b</sub>  
Treble VR<sub>10a,b</sub>
- F-2845  
F-2842  
F-2847
- System A  
System B

SPEAKERS  
100W+100W/8 $\Omega$   
PHONES  
120mW+120mW/8 $\Omega$   
Both channel  
driven at 1000Hz

JAPAN Model



EXPORT Model



- D<sub>01</sub> RB152
- TR<sub>01</sub> 2SD357(D,E)
- TR<sub>02</sub> 2SC1313(G,H)
- TR<sub>03</sub> 2SB527(D,E)
- TR<sub>04</sub> 2SA726(F,G)
- TR<sub>05</sub> 2SC2259(F,G)
- TR<sub>06</sub> 2SA979(F,G)
- ZD<sub>01</sub> RD24E(B)